

S60-C

SkyPanel is a compact, ultra-bright and high-quality LED soft light that sets a new standard for the industry. With a design focused on form, color, beam field and output, SkyPanel represents the culmination of more than a decade of research and development of LED technology at ARRI.

SkyPanel is available in several sizes: the S30, S60, S120, and S360. The S60 is a mid-range model, featuring a light aperture of 645 x 300 mm and accommodating the vast majority of applications. The S120 is twice as long as the S60, but weighs nearly the same. Its larger light aperture makes a great soft light even better. The S30 is a smaller, more portable version; half the length of the S60, it is perfect for on-the-go mobile applications. The S360 is the largest and brightest SkyPanel with four times the output of the S60 and almost six times the aperture size. The S360 is perfect for lighting large areas with tuneable, soft light. S30 and S60 models are available in fully color tuneable and remote phosphor versions.

Incorporating features of ARRI's successful L-Series LED Fresnels, SkyPanel is one of the most versatile soft lights on the market, as well as one of the brightest. Like the L-Series, SkyPanel 'C' (Color) versions are fully tuneable; correlated color temperature is adjustable between 2,800 K and 10,000 K, with excellent color rendition over the entire range. Full plus and minus green correction can be achieved with the simple turn of a knob, and in addition to CCT control, vivid color selection and saturation adjustment is also possible.

Unlike other tuneable fixtures, SkyPanel makes no sacrifice when it comes to light output. SkyPanel puts out a tremendous amount of light, in a soft and uniform beam field. Brighter than a 2 kW tungsten soft light or a 6 kW tungsten space light, the SkyPanel S60 has more than enough light for most applications. At the same time, the lamphead is able to perform beautifully at lower light levels. This range of illumination and color gives users an unprecedented amount of control.

Made in Germany to the high standards for which all ARRI products are known, SkyPanel is built to last – constructed from resilient materials and assembled by hand with great care. Other features include an on-board battery input for mobile applications, LAN port for network connectivity, USB-A port for firmware updates via thumb drive, and many more.



Download ARRI Photometrics from the App Store and Google Play to quickly reference the photometric characteristics of all the ARRI light fixtures

Photometric Data

	3 m / 9.8 ft		5 m / 16.4 ft		7 m / 23 ft		9 m / 29.5 ft	
S60-C (LE 2)	3,200 K	5,600 K	3,200 K	5,600 K	3,200 K	5,600 K	3,200 K	5,600 K
S60-C with Standard Diffusion	1305 lx	1535 lx	470 lx	553 lx	240 lx	282 lx	145 lx	171 lx
	121 fc	143 fc	44 fc	51 fc	22 fc	26 fc	13 fc	16 fc
S60-C with Lite Diffusion	1328 lx	1561 lx	478 lx	562 lx	244 lx	287 lx	148 lx	173 lx
	123 fc	145 fc	44 fc	52 fc	23 fc	27 fc	14 fc	16 fc
S60-C with Heavy Diffusion	1031 lx	1213 lx	371 lx	437 lx	189 lx	223 lx	115 lx	135 lx
	96 fc	113 fc	34 fc	41 fc	18 fc	21 fc	11 fc	13 fc
S60-C with Intensifier	2011 lx	2431 lx	724 lx	875 lx	369 lx	447 lx	223 lx	270 lx
	187 fc	226 fc	67 fc	81 fc	34 fc	41 fc	21 fc	25 fc

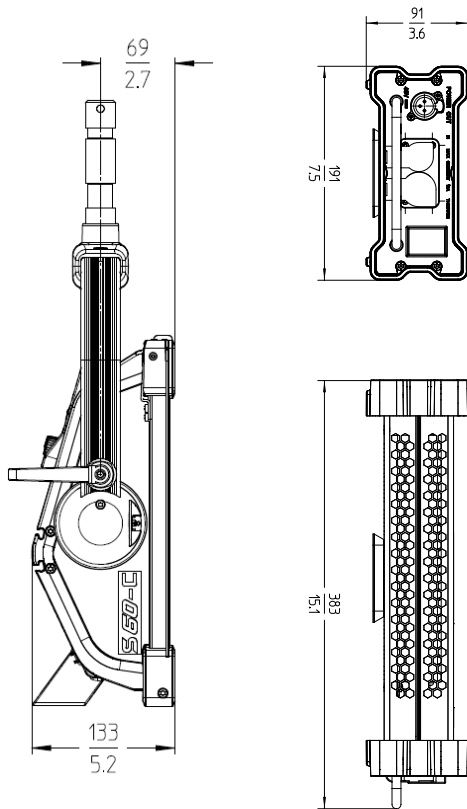
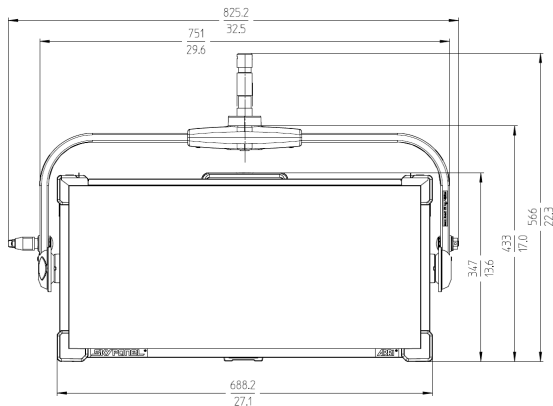
Order No. | Description

L0.0007063	S60-C, Manual, Blue/Silver, 3 m DC Cable, S60/S120 PSU with Rail Mount Adapter, Standard Diffusion Panel, powerCON Edison cable
L0.0007064	S60-C, Manual, Blue/Silver, 3 m DC Cable, S60/S120 PSU with Rail Mount Adapter, Standard Diffusion Panel, powerCON Schuko cable
L0.0007066	S60-C, Pole Op, Blue/Silver, 1 m DC Cable, S60/S120 PSU with Rail Mount Adapter, Standard Diffusion Panel, powerCON Bare Ends
L0.0007067	S60-C, Pole Op, Black, 1 m DC Cable, S60/S120 PSU with Rail Mount Adapter, Standard Diffusion Panel, powerCON Bare Ends ... more on request

SKYPANEL

SOFT LIGHTING | REDEFINED

Technical Specifications



SkyPanel S60-C	
Optical System	Swapable Soft Diffusion Panels
Light Aperture	645 x 300 mm / 25.4 x 11.8"
Beam Angle	105° (Half Peak Angle)
Weight	10,6 kg / 23.2 lbs (Fixture only, incl. Diffusion) 12,6 kg / 27.8 lbs (Manual Version) 14,1 kg / 31.1 lbs (P. O. Version)
Handling	Aluminium Yoke, High Strength Tilt Lock, Pole Operation Option (Pan & Tilt)
Mounting	28 mm Spigot (Junior Pin)
Tilt Angle	+/- 90°
Lamphead Voltage Input	48 V DC
Power Consumption	400 W Maximum
Lamphead Power Connection	Male 3-Pin XLR - 15 A (Pin 1: Negative / Pin 2: Positive)
Battery Connector	Male 4-Pin XLR - 10 A (Pin 1: Negative / Pin 4: Positive)
Battery DC Voltage Range	23 to 36 V DC
Battery Mode Light Output	50 % of total output
White Light	2,800 K to 10,000 K continuously variable correlated color temperature
Colored Light	Full RGB+W color gamut with Hue and Saturation control
Color Temperature Tolerance	+/- 100 K (nominal), +/- 1/8 Green-Magenta (nominal)
Color Rendition	CRI Average > 95 TLCI Average > 90
Green-Magenta Adjustment	continuously adjustable (Full Minusgreen to Full Plusgreen)
Dimming	0 to 100 % continuous
Control	On-Board Controller, 5-Pin DMX In and Through, EtherCon LAN network connectivity, USB-A, Art-Net, sACN
Remote Device Management (RDM)	DMX Setup, Hour Counter and Standard & Manufacturer RDM commands
Software Interface	Ethernet: DMX Setup, Fixture Status and Firmware Upgrade through PC, Mac USB-A: Software Upgrade via flash drive
Housing Color	Blue/Silver, Black
Ambient Temperature Operation	-20 to +45 °C (-4 to +113° F)
Protection Class / IP Rating	III / IP20
Estimated LED Lifetime (L70)	50,000 hours
Estimated Color Shift Over Lifetime (CCT)	+/- 5 %
Certifications & Declarations of Conformity	CE, UKCA, CB, ENEC, cNRTLus, FCC, PSE

Power Supply Unit for SkyPanel S60/S120-C	
Power Supply Input Range	100 to 240 V ~, 50/60 Hz
Power Supply Output Range	48 V DC
Power Input Connection	powerCON TRUE1 TOP (Bare Ends / Schuko / Edison / Japanese / Chinese cables available)
Power Output Connection	Female 3-Pin XLR - 10 A (Pin 1: Negative / Pin 2: Positive) powerCON TRUE1 TOP (mains power through)
Weight	approx. 4 kg / 7.7 lbs
Dimensions	383 x 191 x 91 mm / 15.1 x 7.5 x 3.6"
Control	On-Board On/Off Switch
Mounting	SkyPanel PSU Super Clamp Adapter, Rail Mount Adapter
Certifications & Declarations of Conformity	CE, UKCA, CB, ENEC, cNRTLus, FCC

SKYPANEL
SOFT LIGHTING | REDEFINED

All specifications are nominal / typical values.